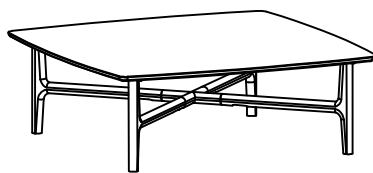
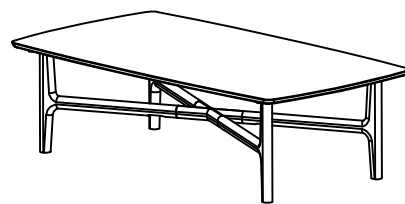


# Sketch







**SD - 94 - CT - LO**


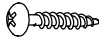





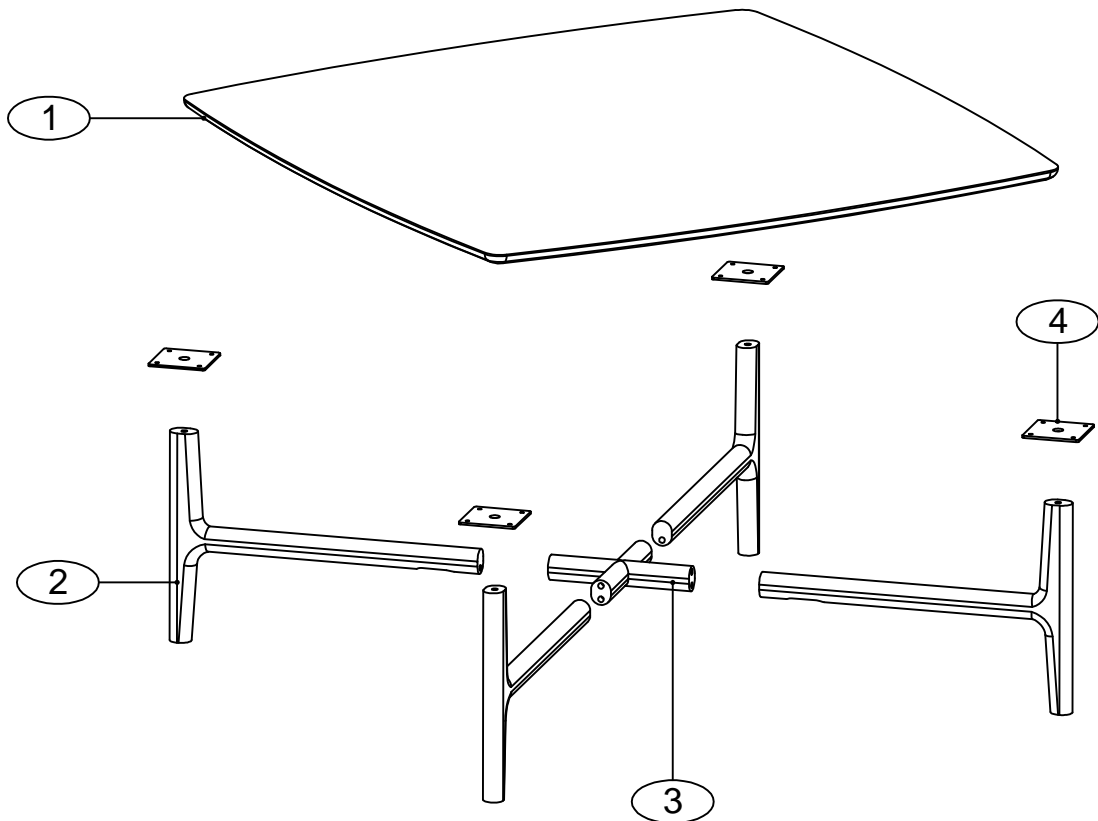
**SD - 120 - CT - LO**  
**SD - 110 - CT - LO**

## COMPONENTS.

Item	Parts Name	Dimension	Q.ty	Notice
1			1	No Label
2			4	No Label
3			1	No Label
4			4	No Label

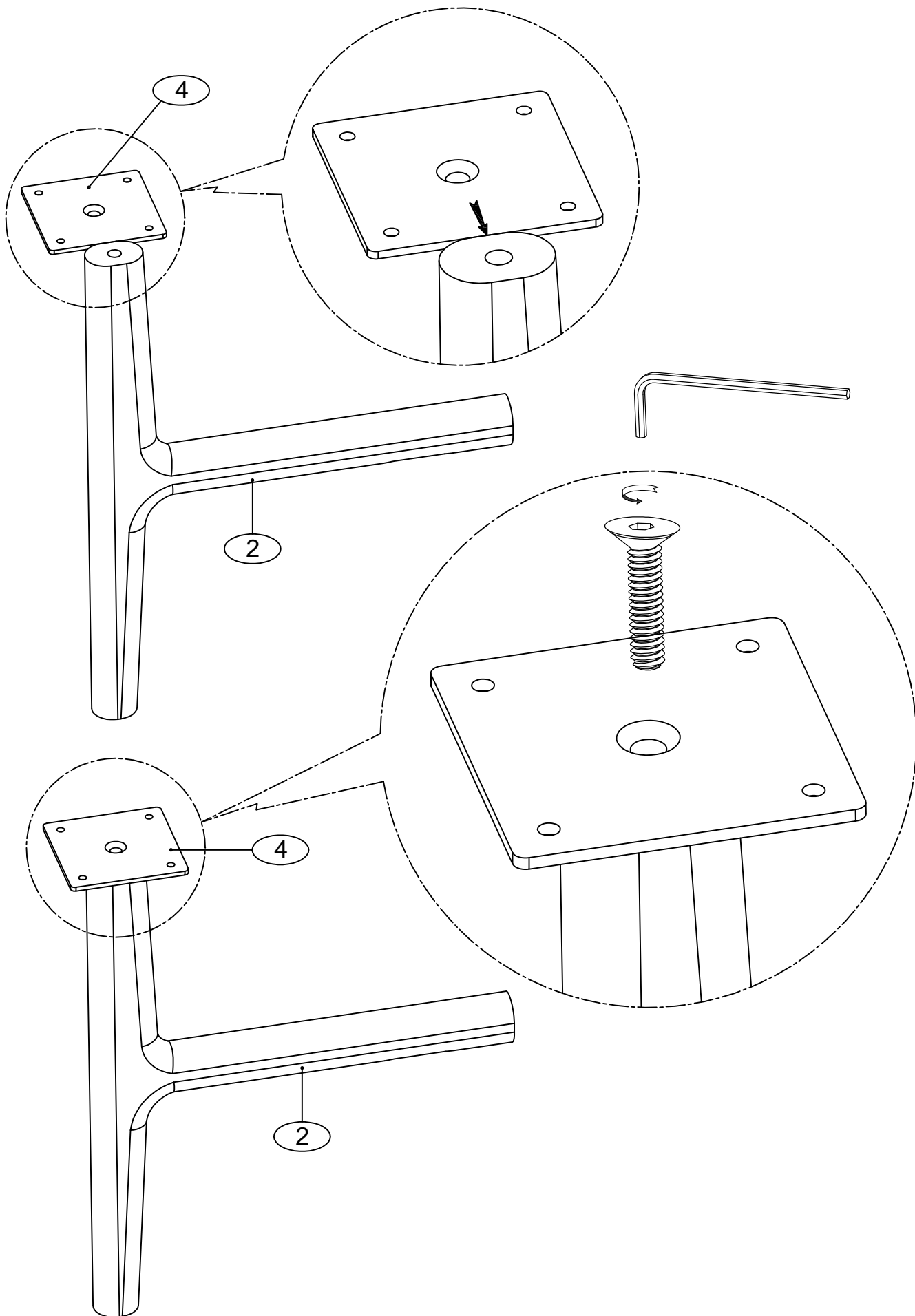
## HARDWARE.

Item	Parts Name	Dimension	Q.ty	Notice
A		M6 x 50	4	
B		Ø4 x 20	16	
C		Ø8 x 30	4	
D		M6 x 20	4	
E			1	



# Step: 1

D x 4

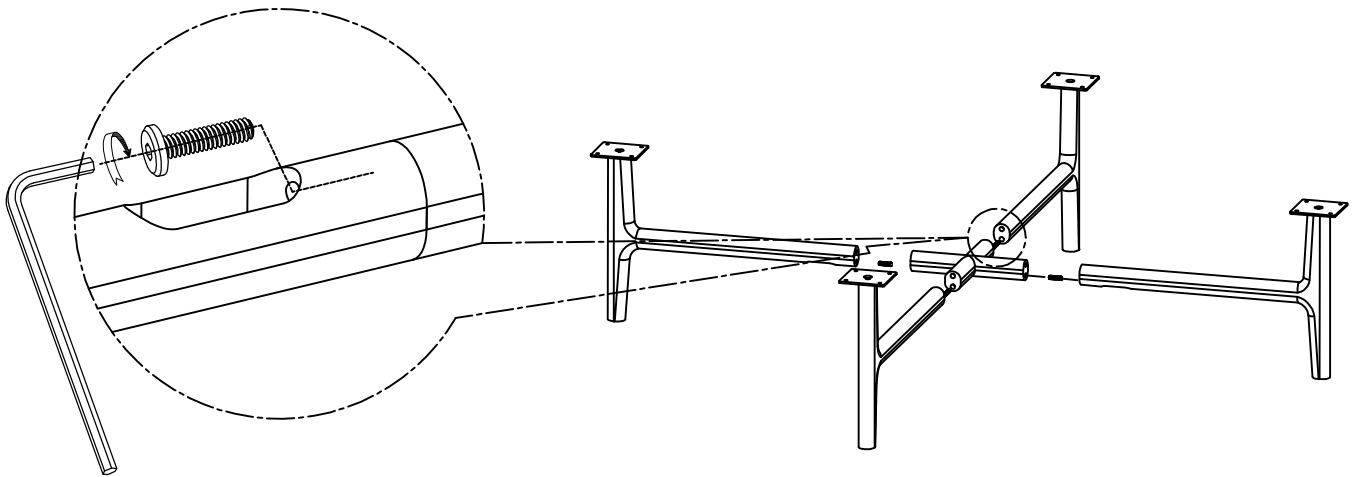


## Step: 2

A x 4

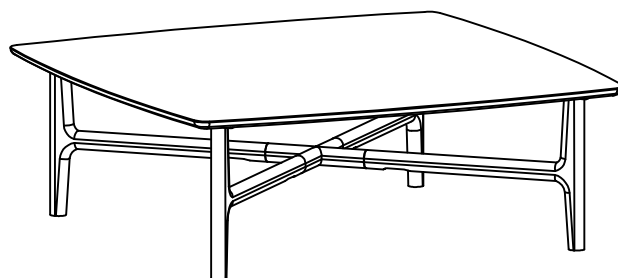
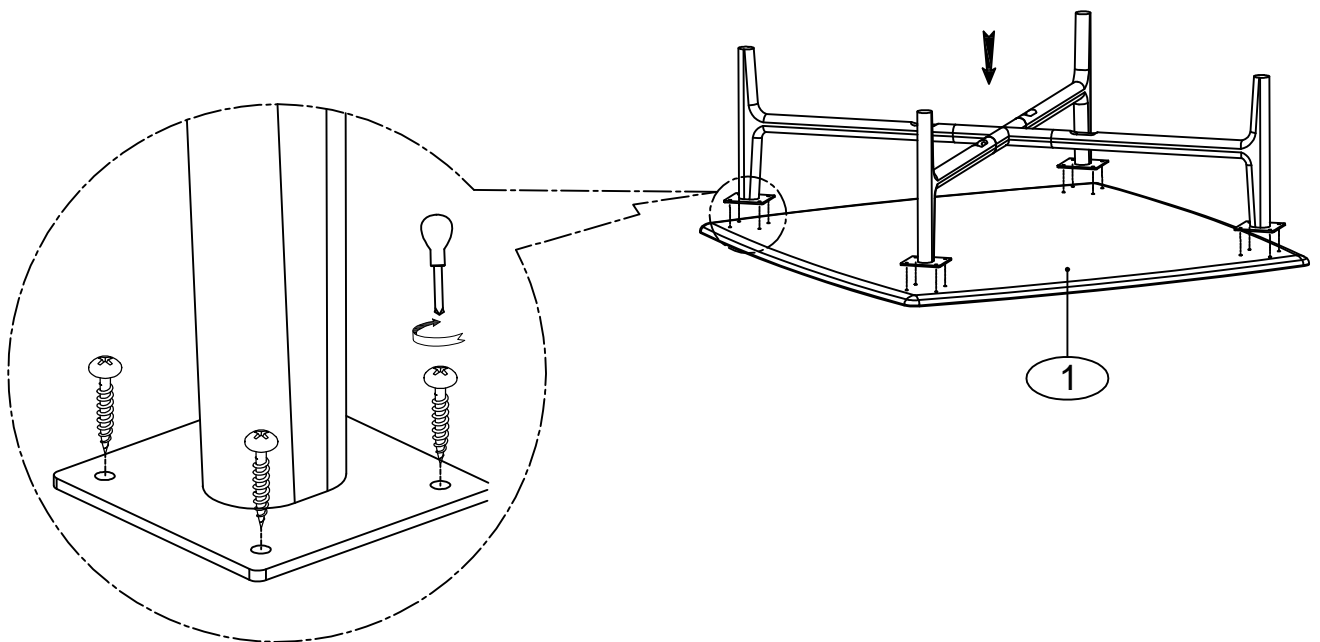
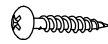


C x 4



## Step: 3

B x 16



**Finish.**