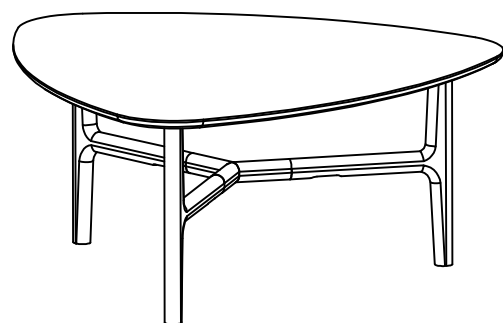






Sketch


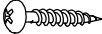





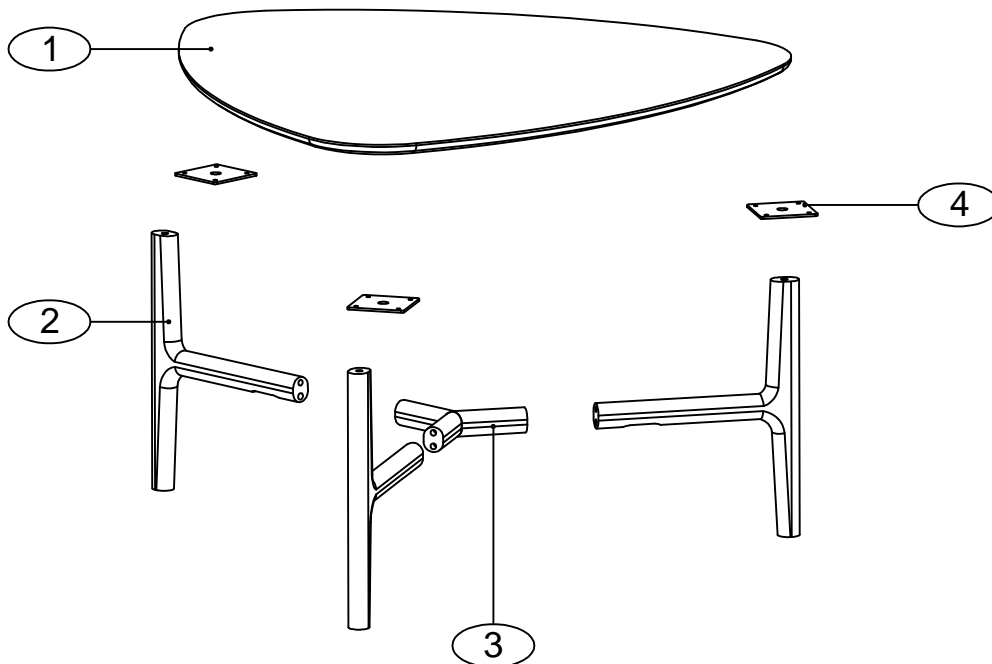
SD - 83 - CT - BO
SD - 83 - CT - LO

COMPONENTS.

Item	Parts Name	Dimension	Q.ty	Notice
1			1	No Label
2			3	No Label
3			1	No Label
4			1	No Label

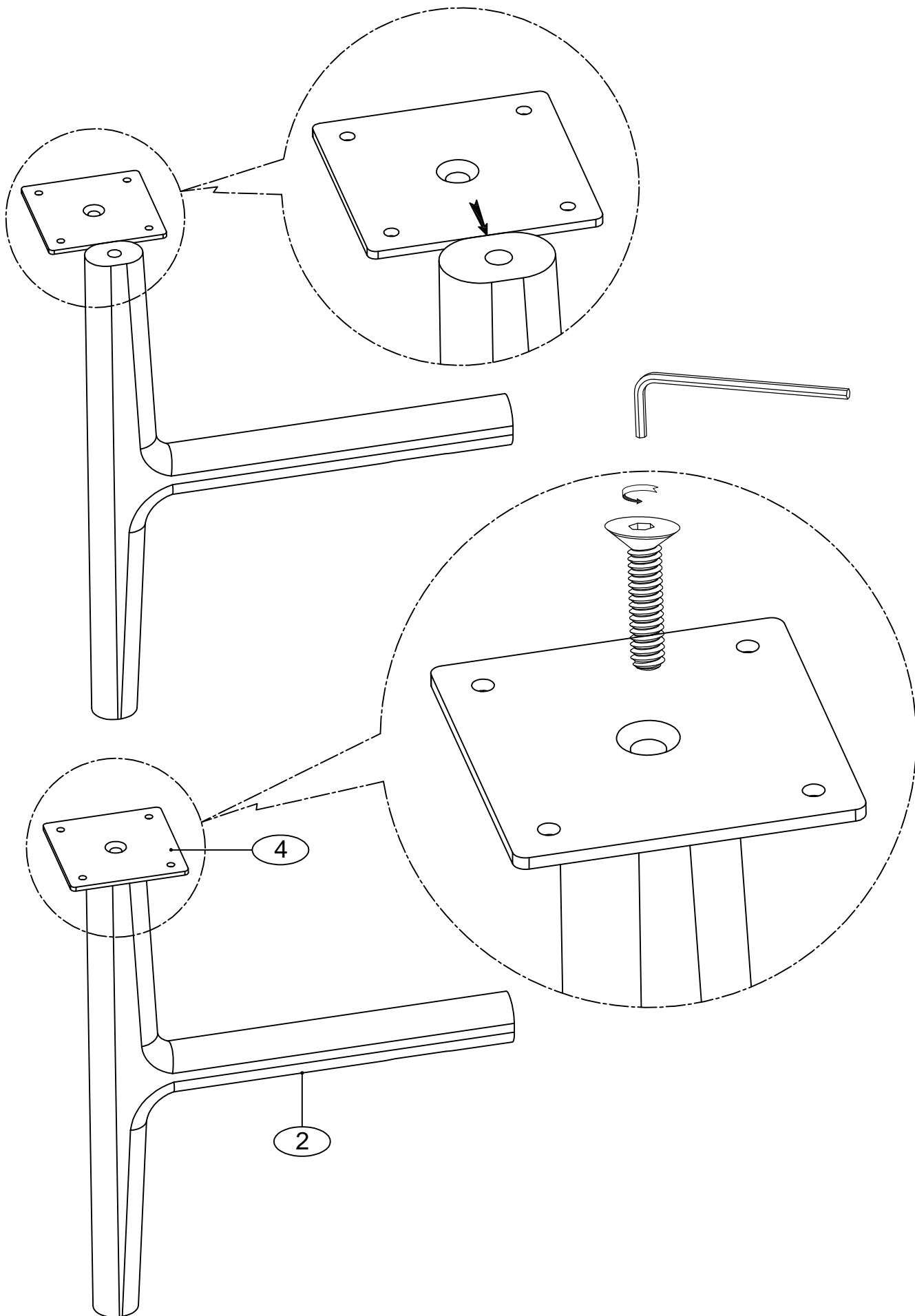
HARDWARE.

Item	Parts Name	Dimension	Q.ty	Notice
A		M6 x 50	3	
B		Ø4 x 20	12	
C		Ø8 x 30	3	
D		M6 x 20	3	
E			1	




Step: 1

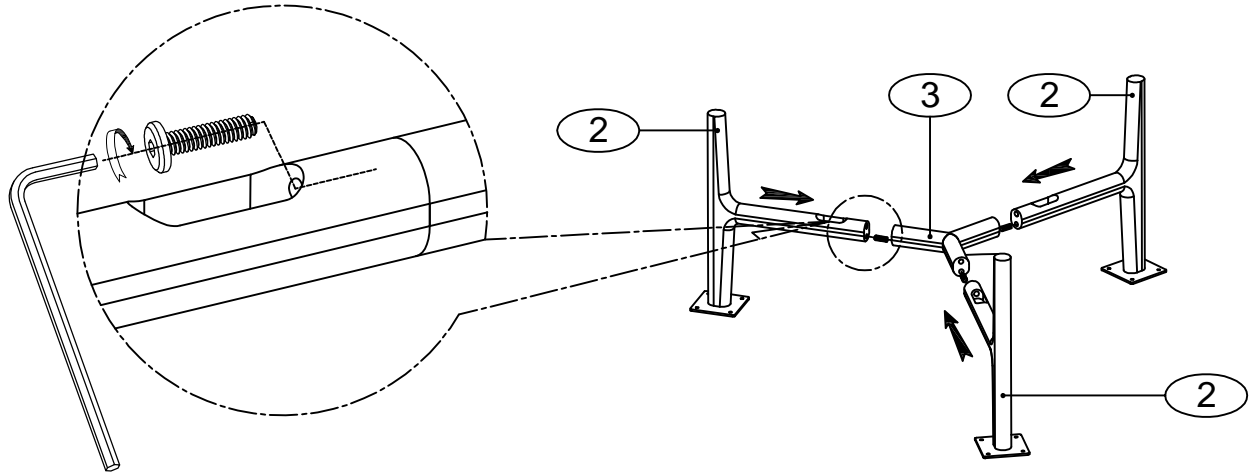
D x 3




Step: 2

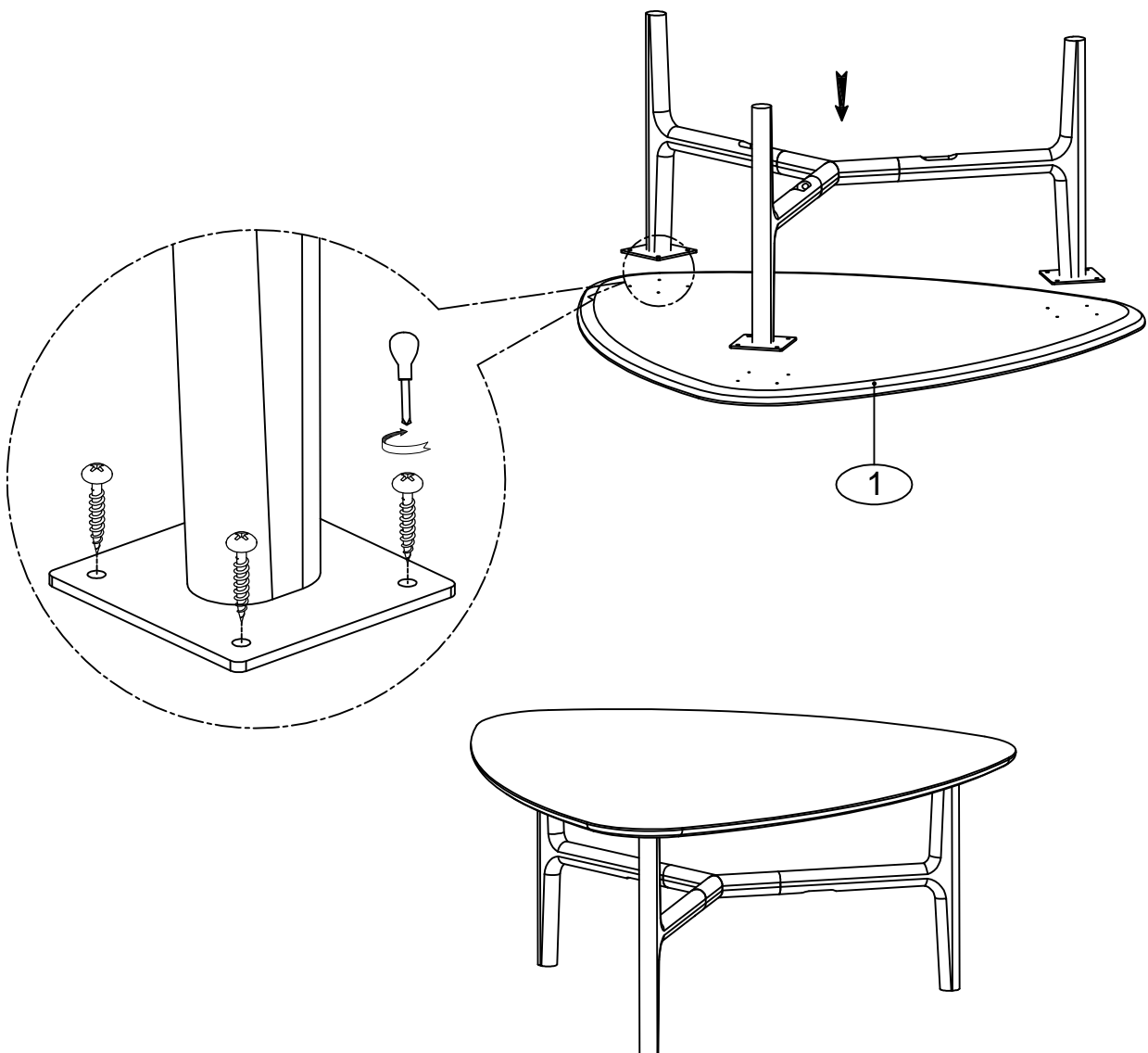
A x 3 

C x 3 



Step: 3

B x 12 



Finish.